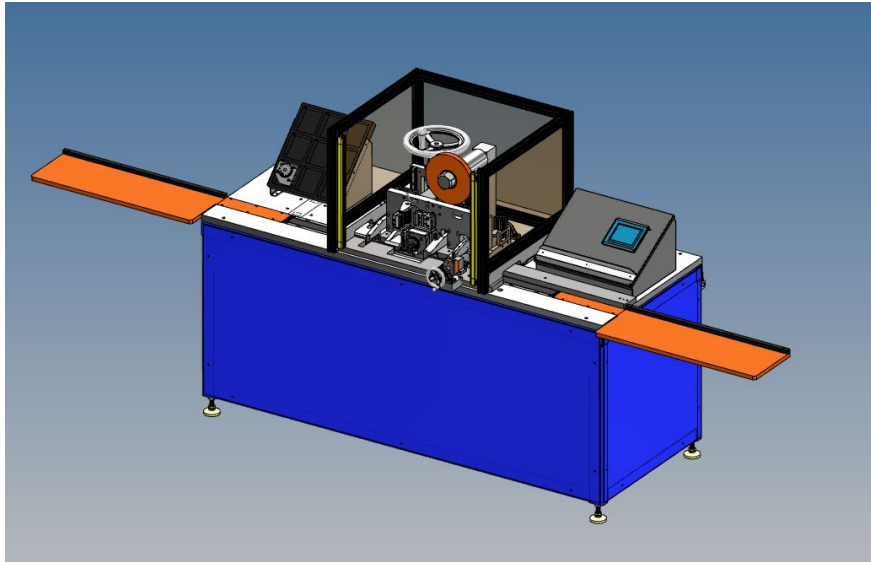


KPS TAPE APPLICATOR



Window and Door Grilles SDL's



This Tape Applicator is used to apply any brand-style tape to precut PDL/SDL Bars.

How it works: The SDL bars are placed on/in the machine manually with the taping surface facing up. The bars will ride thru the machine on a belt. Sensors will detect the leading and trailing end of the bar as well as any cutout in the bar. The tape is then applied flush or set back from the lead end and leading cutouts. It will be cut flush or set back from the trailing end and trailing cutouts.

The unit will hold a single roll of tape. The tape machine uses specific tape heads for specific tape widths. The tape heads are changed over manually. The tape is manually threaded thru the tape head with each changeover of size or when a new tape roll is loaded. The head change-over and tape loading will take **less than 1 minute**. The unit can accommodate tape widths from **1/2" to 2"**. The machine will tape down to an 8" long bar (8" of taping surface).

Tape Applicator Features:

- **4 Tape Heads**
- **Adjustable Fence**
- **Infeed and outfeed shelves**
- **Independent hold-down rollers**
- **Allen Bradley Components**
- **Controlled by PLC and HMI**
- **Servo-control height adjustment**
- **Light Curtain protected enclosure**
- **Footprint: 156"L x 34"W x 64"H**



For quotes, please contact Dave Curry – dcurry@stilesmachinery.com Phone: 616-262-0753