

CROSS JOINT MILLING MACHINE

KSF-2/4

Window & door
manufacturers

Furniture & kitchen
producers



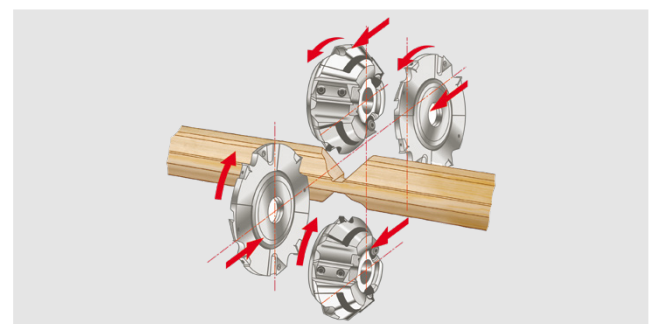
Watch on YouTube

WORLD LEADER IN THE PROCESSING OF GLAZING BARS



The Cross Joint Milling Machine KSF-2/4 is successfully in use worldwide. Our customers appreciate the accuracy, robustness and the vast field of application of this well proven machine.

The profiled bars are cut by a top and a bottom cutting unit while at the same time a third unit finishes the flat portion in between. The additional notching unit (the fourth milling unit, mounted on the front side of the machine) ensures that any profiled bar can be milled tear-free on the top (view) side of the joint. The workpiece is clamped automatically by simply pressing a button, then the piece is milled and unclamped. This operating method ensures the absolute accuracy of cross joints milled on our milling machine KSF-2/4.



FEATURES

- Tear-free cutting of profiled bars
- Suited for both SDL and TDL bars
- Easy to use
- Low investment
- Well-proven machine, successfully in use world-wide

