



New!
Modular System for
Individual Gripper
Configuration

Vacuum Handling Systems

Modular Gripper System for Tube Lifter Jumbo

Modular Gripper System for Tube Lifter Jumbo



Flexibility Through Modular Design

Individual Solution as Standard

Vacuum tube lifters Jumbo from Schmalz ensure ergonomic and safe handling processes in many industries. The gripper is the link between the tube lifter and the workpiece to be lifted and therefore mainly responsible for function and safety. Schmalz has developed an innovative modular system for the flexible configuration of the grippers – optimally adapted to individual requirements.

Your Benefits

- Cost-effective and quickly available individual solutions
- Plug and play – quick adjustment of the gripper to the workpiece by easily adjustable suction plates
- High ergonomics through reduced weight of the gripper (-20 % on average)
- Minimum tubing due to integrated vacuum feed
- Increased lifting stroke due to reduced height

Application

Use with the vacuum tube lifters JumboErgo and JumboSprint from Schmalz with beam system:

- Preconfigured grippers (double or quadruple gripper) for many standard applications
- Individually configured grippers according to customer requirements
- Lift capacity up to max. 140 kg

Design

Aluminum main beam

- Integrated vacuum feed, connection element and workpiece detection
- Easy mounting and moving of cross beams and suction pad holders

Aluminum cross beam

- Two parts including cross beam connector, thus reduced height

Suction pad holder

- Flexible mounting to main or cross beam
- Suction plates rotatable by 360°, lockable in 30° increments

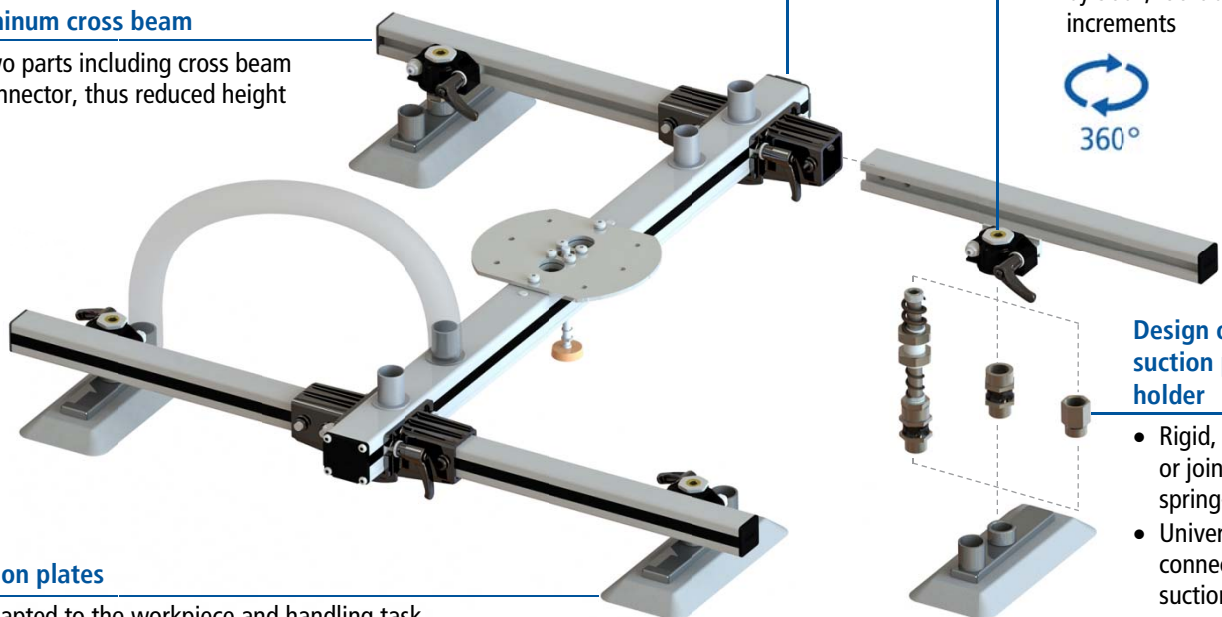


Design of the suction pad holder

- Rigid, jointed or jointed and spring-loaded
- Universal connection of suction plates

Suction plates

- Adapted to the workpiece and handling task (horizontal or 90° swiveling)



Modular Gripper System for Tube Lifter Jumbo



Basic Components



Aluminum Main Beam

- Integrated vacuum feed
- Includes the connection element for the tube lifter and a plunger for workpiece detection
- Four standard lengths: 400 mm, 800 mm, 1,200 mm and 1,600 mm
- Variable length: from 300 mm to 2,000 mm



Aluminum Cross Beam

- Divided into two equal beams with plastic connector
- Reduced height by mounting at the same level as the main beam
- Easy and scratch-free to slide along the main beam
- Two standard lengths: 400 mm and 800 mm
- Variable length: from 400 mm to 1,200 mm



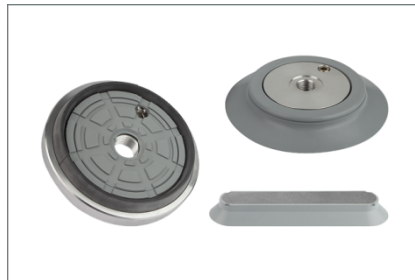
Suction Pad Holder

- Made from durable plastic
- Design: rigid, jointed or jointed and spring-loaded for optimum height compensation and adaptability
- Flexible alignment of the suction plates in 30° increments
- Easy and scratch-free to slide along the main beam or cross beam; fixation by clamping lever



Suction Plate SPT

- Suction pad material NBR
- Available in nine sizes from 235 x 80 mm to 330 x 330 mm



Further Suction Plates

- Other sizes and designs (round, oval, with foam rubber seal, etc.) on request



Cover Profile for Beams (Accessory)

- Positive cover for the T-grooves of the main beam and cross beam
- Length 2,000 mm (easy to cut)

Configuration Examples



Double gripper consisting of a main beam and two suction pad holders with suction plates SPT



Quadruple gripper consisting of a main beam, two cross beams and four suction pad holders with suction plates SPT

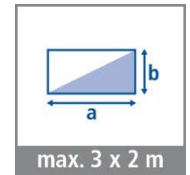
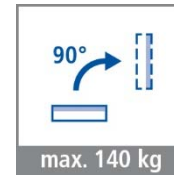
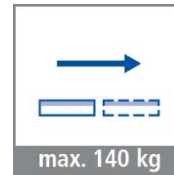
Modular Gripper System for Tube Lifter Jumbo



Product Specifications

Technical Data

- Max. lift capacity 140 kg (suitable for JumboErgo and JumboSprint 35 / 45 / 65 / 85 / 110 / 140)
- Beam system max. 2,000 mm x 1,200 mm
- Workpiece size max. 3,000 mm x 2,000 mm
- Connection horizontal / 90° swiveling (in conjunction with pneumatic swiveling unit)



Combinable Accessories

The grippers can be combined with the following accessories from the Jumbo modular system:

- Quick-change adapter: quick replacement of the gripper with a few simple steps
- Pneumatic swiveling unit: easy swiveling of workpieces by up to 90° with the push of a button
- Rotation unit: continuously rotating of workpieces for precise positioning
- Hose-cylinder extension: easy loading and unloading of containers and boxes

Availability

From January 2014, all standard devices with beam system ranging from 35 kg to 140 kg lift capacity will be equipped with a gripper from the new system. Also customized gripper solutions are then available on request.

Further Information



Vacuum Tube Lifter JumboErgo

Handling of large and heavy workpieces such as wooden boards, cardboard boxes, solar panels, etc.

www.schmalz.com/jumboergo



Vacuum Tube Lifter JumboSprint

Handling of compact workpieces such as bags, rubber bails, etc.

www.schmalz.com/jumbosprint

J. Schmalz GmbH
Aacher Strasse 29
D-72293 Glatten
Tel. +49 (0)7443 2403-0
Fax +49 (0)7443 2403-259
schmalz@schmalz.de
www.schmalz.com